

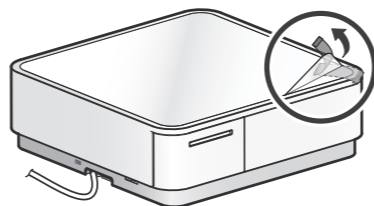
star mPOP Easy Setup Guide

Introduction

This document explains the setup procedure for the mPOP. For further instructions, please refer to the mPOP online manual. Please read the instructions before using the product.

- A transparent protective film is affixed to the top surface of mPOP. Remove the film before use.

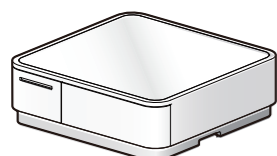
mPOP online manual



Check the Supplied Accessories

If any of the package contents are missing or damaged, contact the dealer where the product was purchased.

*1) Please use the included USB cable in case the application you use supports USB connection.



POP10



Power Cable
(2 cables for EU/UK model)



Tablet Stand



Paper Roll



Mounting Bracket with Tape
Two Screws



Mounting Template
(Cardboard Material)



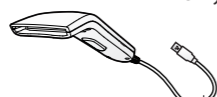
Safety Instructions



This Manual



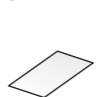
USB Cable*1)



Barcode Reader



Barcode Reader Stand



Double Sided Tape



Two Screws

Only for models which include a barcode reader

iOS Bluetooth or Android Users

Using the "Star Quick Setup Utility" allows setup and main unit configuration to be completed easily.

"Star Quick Setup Utility" download



www.star-m.jp/mpop-app.html

Proceed to **1** to perform set-up using these instructions.

i The "Star Quick Setup Utility" is used to change the main unit settings and perform operation tests.

Windows Users

Use the software to configure the main unit settings.

Software download

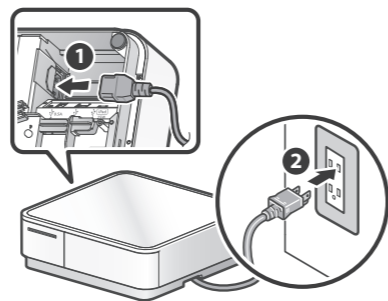


www.star-m.jp/mpop-wsw.html

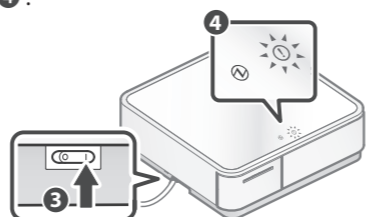
When performing setup, refer to **1** and **3** on this side of the instructions, as well as the opposite side of these instructions.

1 Turning on the Main Unit Power.

Connect the included power cable to the inlet on the back side of the product **1**. Connect the plug of the power cable to the outlet **2**.



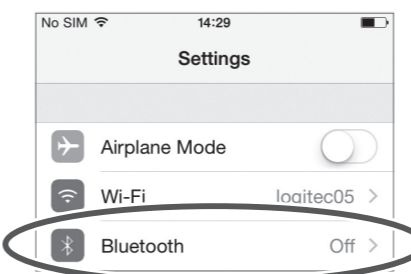
Turn ON the power on the side of the main unit **3**. Check that the Power LED (blue) light and the Error LED (red) blink **4**.



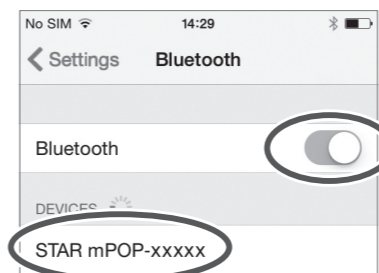
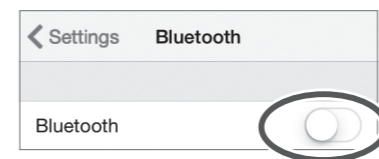
2 Connecting to a Tablet.

iOS Users

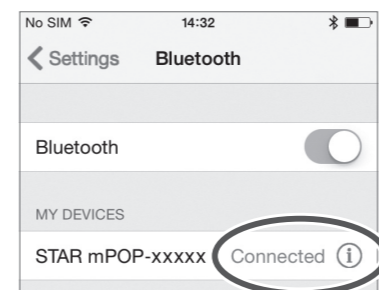
Open the tablet settings screen and select Bluetooth.



Turn Bluetooth OFF → ON, and then select the displayed "STAR mPOP-xxxxx".

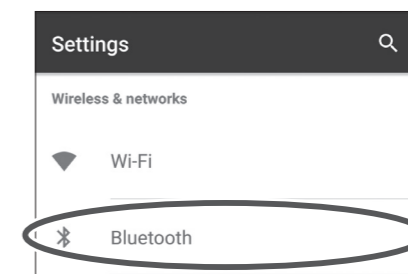


Check that the tablet is connected.

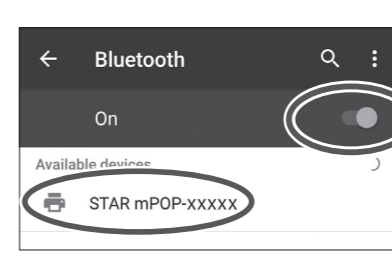
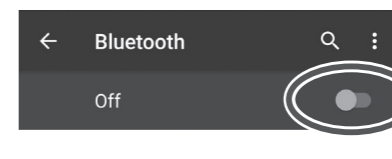


Android Users

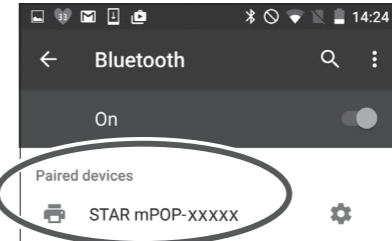
Open the tablet settings screen and select Bluetooth.



Turn Bluetooth Off → On, and then select the displayed "STAR mPOP-xxxxx".



Check that the tablet is connected.

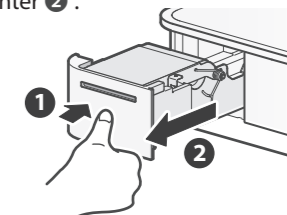


To prevent illegal connections from any tablets other than the one which you have connected and to improve security, change the bluetooth setting as shown below after completing the above procedure.

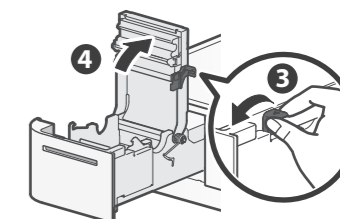
Change the setting of "New Pairing Permission" to Off from "Star Quick Setup Utility" [Printer Settings] - [Interface Settings - Bluetooth Settings], then tap [Apply].

3 Inserting a Roll of Paper.

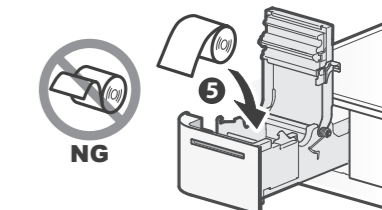
Check that the power is ON. Press the front of the printer to disengage the lock **1**, and then pull out the printer **2**.



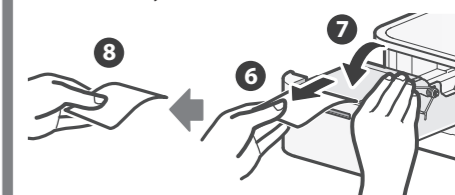
Pull the cover opening lever toward you **3** and then open the printer cover **4**.



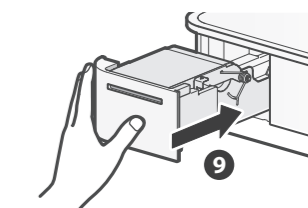
Insert a roll of paper in the direction shown in the illustration **5**.



Pull the end of the paper out straight **6**, and then close the printer cover **7**. Remove the piece of paper that is cut automatically **8**.



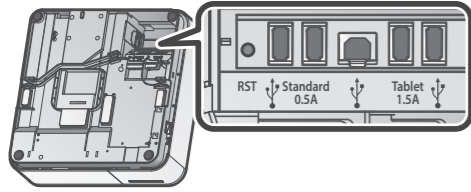
Press the printer back into place until a click is heard and the printer locks **9**.



If the power does not turn ON, if automatic paper feed does not occur when the paper roll is installed, or if other trouble occurs, refer to [Troubleshooting] in the online manual. The "Star Quick Setup Utility" can be used to easily perform operation tests for the printer, cash drawer, barcode reader, and other components.

Connecting the USB Cable

Check the connection destination port of the tablet or other peripheral device to use, and connect it to the main unit.



Communication

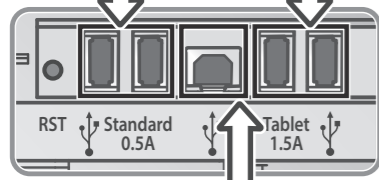
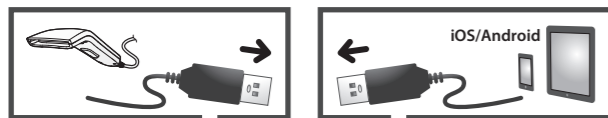
Designated barcode reader

Recharge

Other peripheral devices

Recharge

Tablet or other peripheral device



Communication

If a USB cable is not included in the package, use a commercially available USB cable.



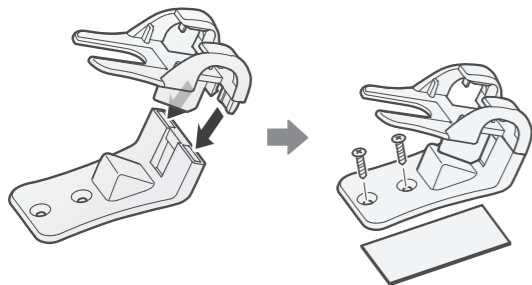
Installing the Barcode Reader

Models with Barcode Reader or as an Option

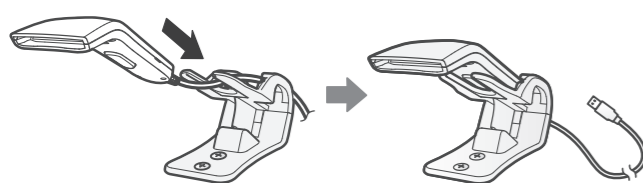
Connect the barcode reader cable to the main unit.

Assemble the barcode reader stand.

Use the double-sided tape or screws as necessary to fasten the stand in place.



Place the barcode reader into the barcode reader stand.

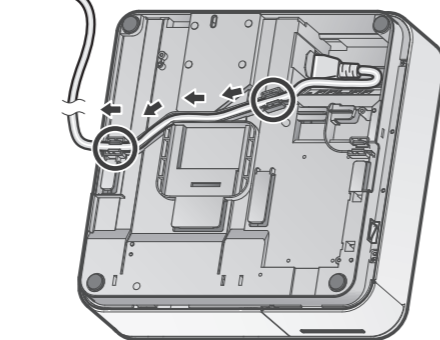
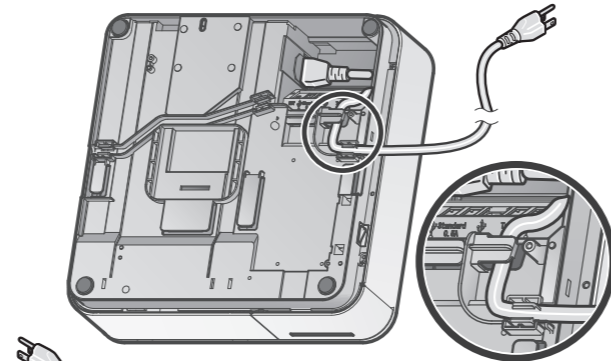


Wiring the Cables

Wire the cables as needed according to the location where the main unit is installed. Turn OFF the main unit power before connecting or disconnecting the cables.

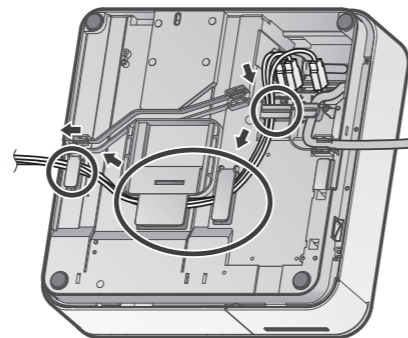
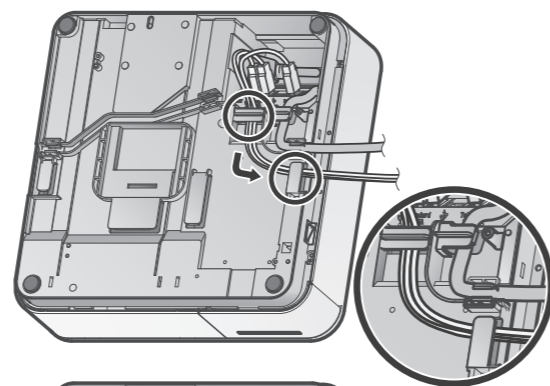
Power Cable

Route the power cable so that it passes under or between the power cable hooks.



USB Cable

Route the USB cable so that it passes under the USB cable hooks.



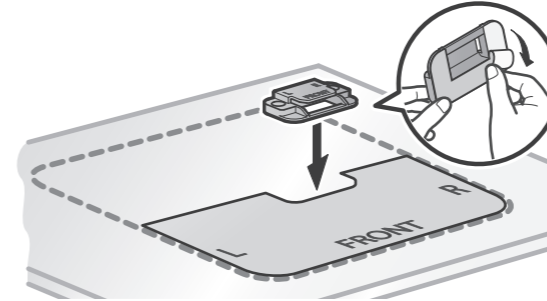
To ensure the main unit is not tilted when installed, beware that cables do not protrude from the hooks while the cables were routed.

Securing the Main Unit

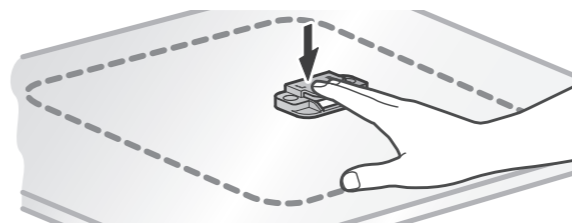
Secure the main unit in order to prevent it from tipping over.

Turn OFF the main unit power, then follow the procedure below. Select a flat, level location to install the main unit.

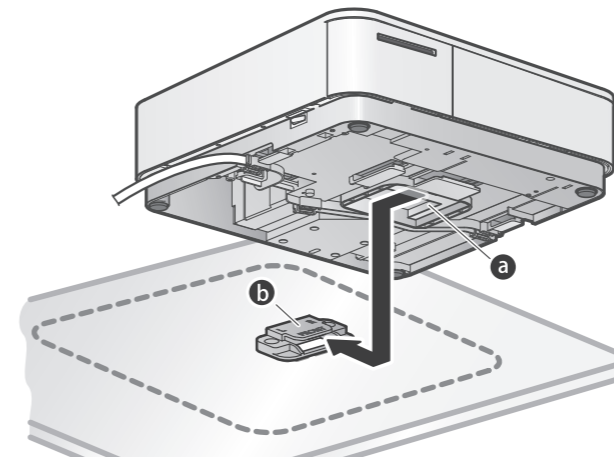
Place the mounting template so that the "FRONT" edge of the mounting template is aligned with the front of the installation position. Remove the liner from the tape on the bottom of the mounting bracket and adhere the mounting bracket in accordance with the mounting template. The tape has strong adhesion. Please carry out the adhering work carefully.



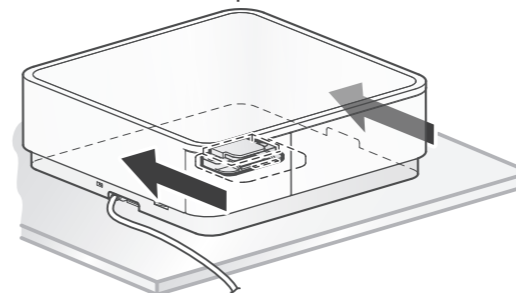
Press the mounting bracket firmly so that the tape is adhered to the surface securely. Remove the mounting template.



Check the position of the slot for mounting bracket (a) on the bottom of the main unit, and position the main unit so that the slot is in front of the mounting bracket hook (b).



Slide the main unit so that the mounting bracket hook enters the slot to secure the main unit in place.



If you want to secure with screws, please refer to the online manual.

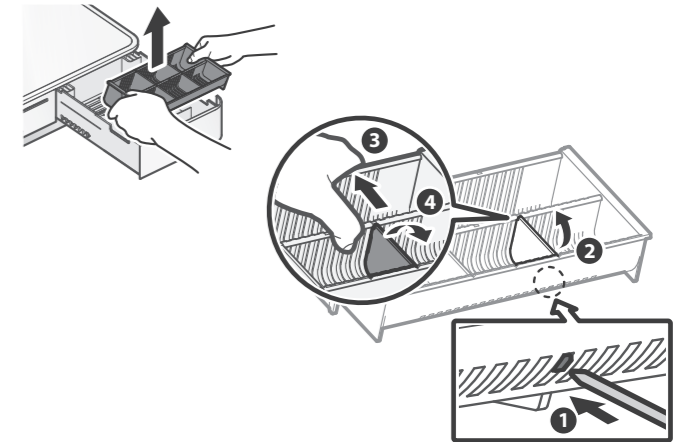
Adjusting the Coin Tray

Vertical Bill Type

Use your chosen application or other means to open the cash drawer, and then remove the coin tray.

Press the hook part on the bottom of the divider with a narrow pointed tool to disengage the lock (1), then lift up the divider (2).

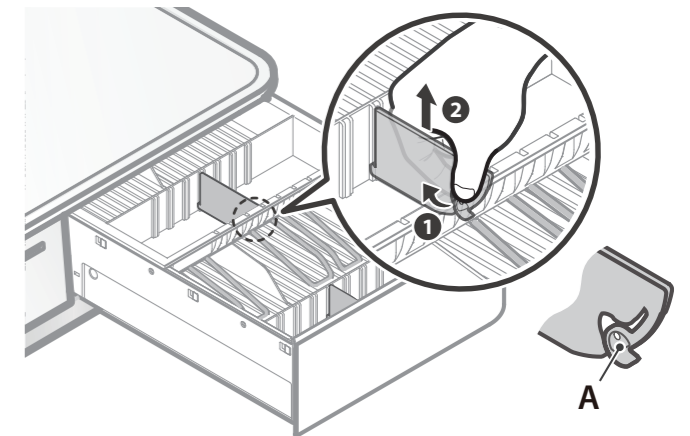
Press the coin tray from the inside with your fingers to expand it (3), and then remove the divider (4).



Install the divider in the desired position.

Flat Bill Type (North, Central & South America Only)

Unlock the hook A on the divider (1) and lift it up (2).



Install the divider in the desired position.

For iOS Tablet Users

If the iPad or other iOS tablet will always be used in a 1-to-1 connection with mPOP, turn ON the "Auto Connection" setting from "Star Quick Set-up Utility" [Printer Settings] - [Interface Settings - Bluetooth Settings], then tap [Apply].

When the "Auto Connection" setting is enabled, mPOP will automatically connect to the tablet that it was most recently connected to.

As a result, it is not necessary to reconnect every time the connection between mPOP and the tablet is broken.

This will also prevent connections from any tablet other than the iOS tablet that is currently connected.

• For the owners of other companies' trademarks mentioned in this document, see Trademarks in our website (<https://www.star-m.jp/eng/trademarks.html>).

Copyright 2015-2022 Star Micronics Co., Ltd.